

**Gateway  
for RS485 bus, bidirectional**

The KYMASGARD® GW-RS485-FEM is a device for on-wall installation. It serves as unidirectional or bidirectional gateway between radio transmitters / radio receivers and bus systems on basis of RS485 communication. It enables receiving and transmitting of radio telegrams from all radio transmitters that comply with the EnOcean protocol standard.

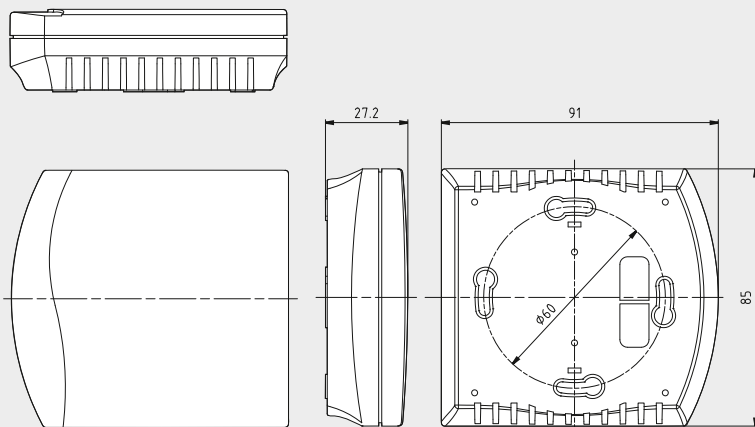
GW-RS485-FEM



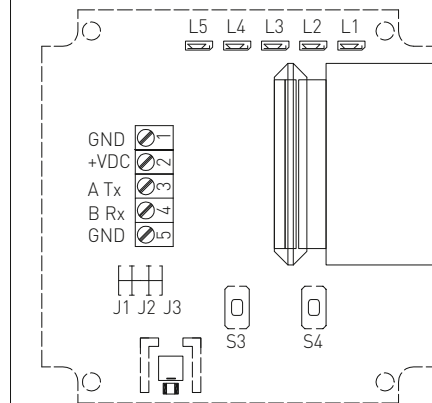
**TECHNICAL DATA**

Operating mode:	receiving (from up to 30 radio transmitters) and transmitting of radio telegrams according to EnOcean standard
Rated voltage:	10-24 V DC
Current consumption:	45 mA at 12 V DC
Radio module:	TCM320
Fusing:	none
Operating elements:	1 button ("LRN") 1 button („CLR") 5 LEDs
Connection:	5-pole terminal screw
Housing:	plastic, material ABS, colour pure white (similar to RAL 9010)
Dimensions:	85 x 91 x 27 mm (Frija 1)
Mounting:	wall mounting or on in-wall flush box, Ø 55 mm, base with 4 holes, for attachment to vertically or horizontally installed in-wall flush boxes for rear cable entry, with predetermined breaking point for cable entry from top/bottom in case of plain on-wall installation
Ambient temperature:	-5...+40°C (in operation)
Humidity:	5...90% r.H., non-precipitating air
Protection type:	IP 20 (according to EN 60 529)
Standards:	CE conformity, EN 090-2-2, EN 60669-2-1, ROHS conformity according to Directive 2011 / 65 / EU

Dimensional drawing GW-RS485-FEM



Schematic diagram GW-RS485-FEM



**KYMASGARD® GW-RS485-FEM Gateway for RS485-Bus**

Type / WG02	Type	Communication	Installation	Item No.	Price
<b>GW-RS485-FEM</b>					
GW-RS485-FEM	Bidirectional	RS485	On-wall	1801-7429-0022-300	<b>193,37 €</b>
<b>Note:</b>	other gateways optional			on request	
<b>Compatibility</b>	all KYMASGARD® radio transmitters and radio signal receivers				